

MAGNETIC BASE

WORK LAMP



A versatile and portable work lamp designed for workforce safety and productivity. Equipped with a magnetic base, this 15W LED light is ideal for use in various settings, including workshops, construction sites, and outdoor activities. Its adjustable design and magnetic base provide flexibility and convenience.

STRONG MAGNETIC BASE



- ✓ Rechargeable
- ✓ Built-in battery
- ✓ Magnetic base
- ✓ Light head tilt 120°
- ✓ 5 x 3W LED Lights
- ✓ IP65 Rated - Water and Dustproof
- ✓ SOS flash pattern
- ✓ Switch between 100% and 30% intensity.



LEARN MORE

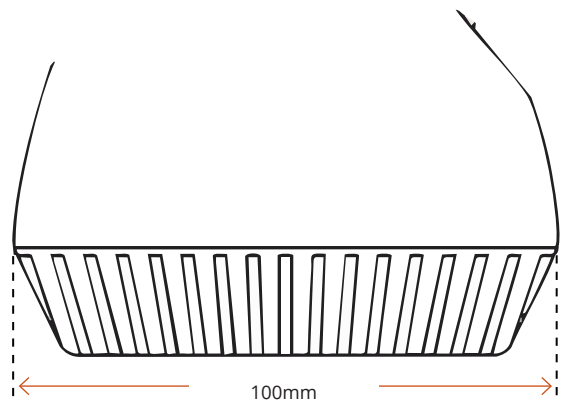
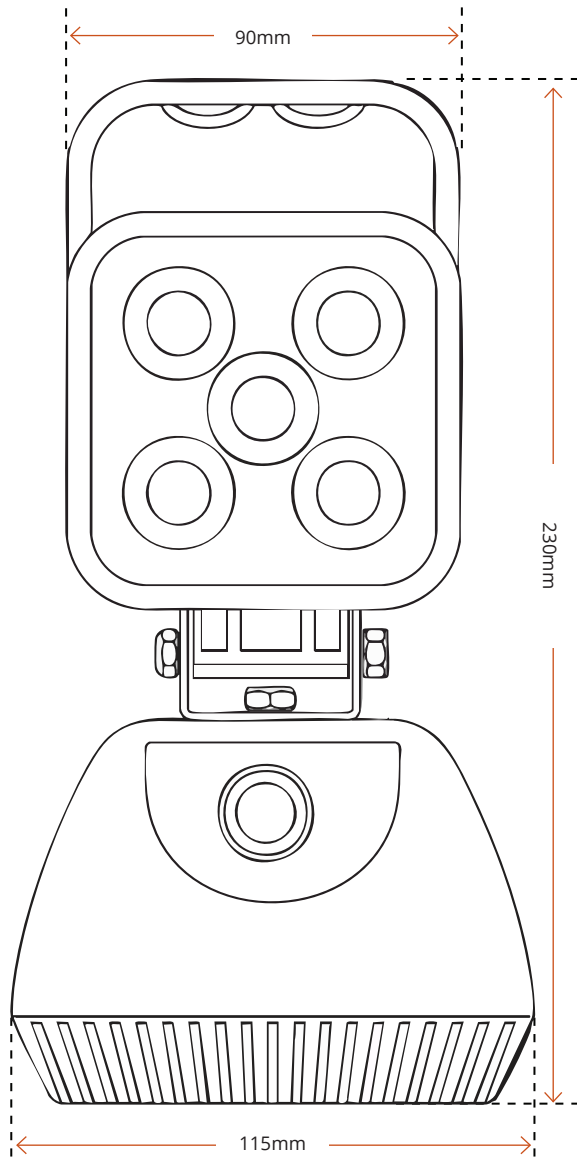
SPECIFICATIONS

ABERDEEN EXPLOSION PROOF FLOOD LIGHT

Model	ETG-15WL057
Power (w)	15
Light Source	5 x3W LEDs
Lumens (lm)	1000
CCT	6500K
Re-chargeable Battery	Li 7.4V 4400mA
Charging Time	5-6 Hours
Discharge Time	3-4 HOURS (100% BRIGHTNESS)
Charger	DC CAR CHARGER AND AC ADAPTOR
Lifespan of Battery	500 charge/discharge cycles
Base	Magnetic
IP Rating	IP65
Height (inch)	7.6
Mount	Handle / Magnetic Base
Modes	FULL BRIGHT DIM SOS OFF
Beam	Spot/Flood

DIMENSIONS

ABERDEEN EXPLOSION PROOF FLOOD LIGHT



SIDE VIEW



1300 410 485 | sales@etms.com.au | www.etms.com.au

